

Features & Benefits

- No rewiring needed
- Works with fluorescent electronic ballast (Instant Start, Programmed Start, and Dimming)*
- Long life
- High CRI
- Instant on, no delay
- Convenient and quick installation
- Utilizes existing instant start or rapid start sockets
- Compatible with controls and sensors
- Dimmable
- Works in cold temperature applications
- Glass tube for superior optical performance
- 5 Year Warranty



* EMERGENCY BALLAST RESTRICTIONS



RetroFlex™
LED T8 LAMP • Simplicity.
Commercial Grade LED T8 Lamp

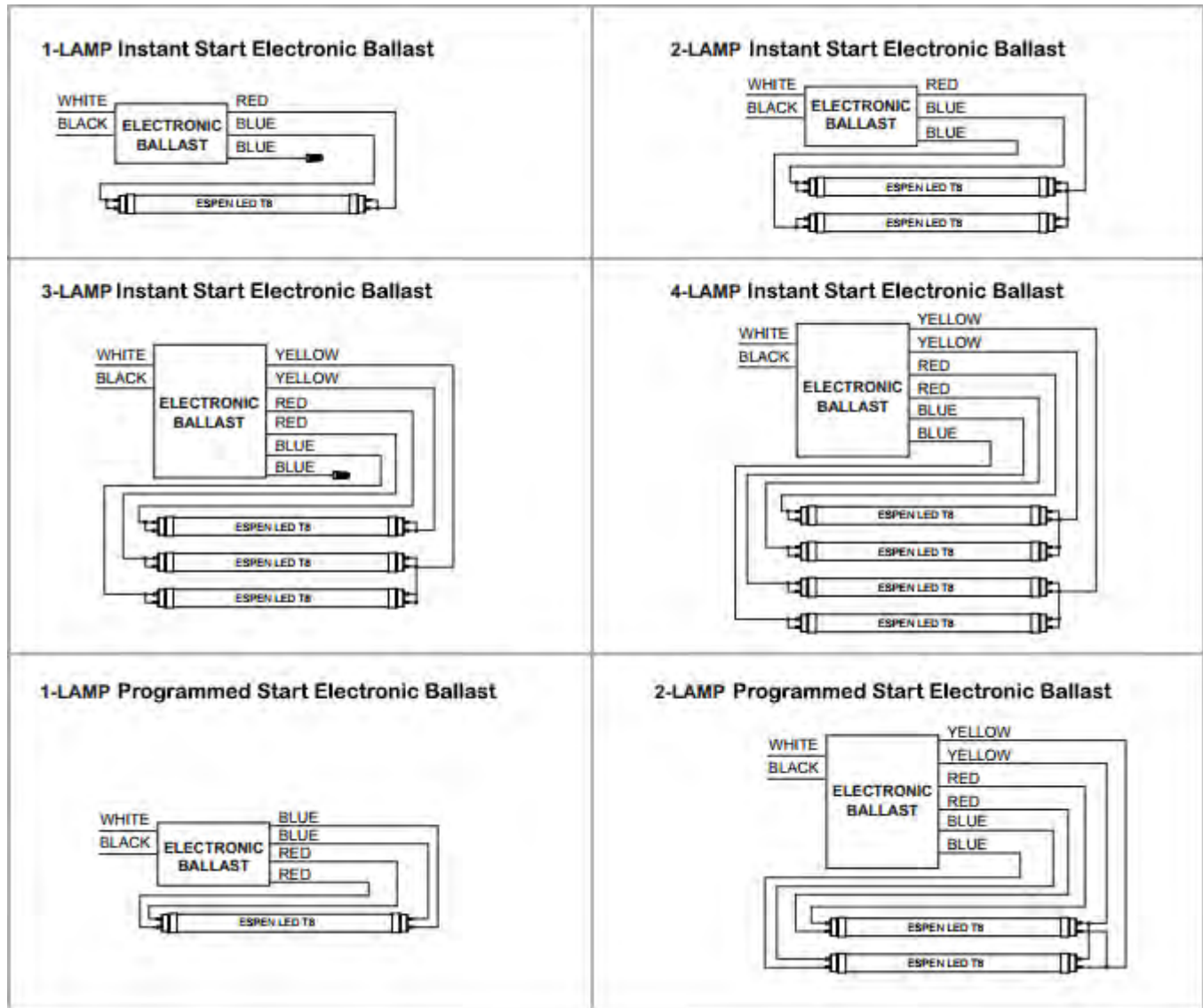
Specification Data

Order Code	Length	Lamp Wattage	System Wattage	CCT	Initial Lumens	CRI	Beam Angle	Lamp Efficacy	System Efficacy	Life
L48T8/830/15G-EB-AC	48	15	18	3000K	2200	83+	325	146	122	50000
L48T8/835/15G-EB-AC	48	15	18	3500K	2200	83+	325	146	122	50000
L48T8/840/15G-EB-AC	48	15	18	4000K	2200	83+	325	146	122	50000
L48T8/850/15G-EB-AC	48	15	18	5000K	2200	83+	325	146	122	50000

System Performance

Lamp Model	Low Ballast Factor				High Ballast Factor			
	Lamp Power	System Power	Lumen Output	Lamp Efficacy	Lamp Power	System Power	Lumen Output	Lamp Efficacy
L48T8/830/15G-EB-AC	13	15.5	1900	150	21	24	2900	140
L48T8/835/15G-EB-AC	13	15.5	1900	150	21	24	2900	140
L48T8/840/15G-EB-AC	13	15.5	1900	150	21	24	2900	140
L48T8/850/15G-EB-AC	13	15.5	1900	150	21	24	2900	140

Wiring diagram



DLC Information

Order Code	DLC Product ID	DLC Product Model	DLC Version
L48T8/830/15G-EB-AC	N/A	N/A	N/A
L48T8/835/15G-EB-AC	N/A	N/A	N/A
L48T8/840/15G-EB-AC	N/A	N/A	N/A
L48T8/850/15G-EB-AC	PG78RSRN	L48T8/850/15G-EB-AC	5

* Please refer to "Ballast Compatibility List" for compatible battery backup and/or emergency ballasts.

* Please refer to "Ballast Compatibility List" on Related Downloads.

