

380-LED SERIES

LED



38095 | CLEAR/BLACK



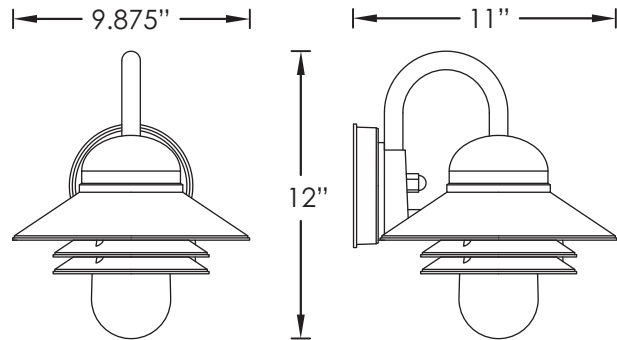
38091 | WHITE/WHITE

STANDARD SPECIFICATIONS

Housing	High Impact Polycarbonate (Specify Finish)
Lens	Clear/White Ribbed Acrylic Jar
Certification	Wet Location Listed
Mounting	Wall Mount

REPLACEMENT PARTS

LENS-3801	White Ribbed Acrylic Jar Lens
LENS-3809	Clear Ribbed Acrylic Jar Lens



PRODUCT FAMILY	LENS TYPE	FINISH	MODEL	FEATURES & OPTIONS*
380				



- 1 - White Prismatic
- 9 - Clear Prismatic

- 1 - White
- 5 - Black

9LED 120-277V, 60Hz Electronic Dimmable
13 Watts, 900 Lumens
Options: 30K, 40K

10LEDGU 120V, 60Hz Electronic Dimmable
10 Watts, 800 Lumens, GU24
Base Options: 27K, 30K, 40K, PE

12LEDGU 120V, 60Hz Electronic Dimmable
12 Watts, 1100 Lumens, GU24 Base
Options: 27K, 30K, 40K, PE

13LED-120 120V, 50/60Hz Electronic, 120V Dimmable
13 Watts, 900 Lumens, >80CRI
Options: 30K, 40K, ES, PE

17LEDGU 120V, 60Hz Electronic Dimmable
15 Watts, 1600 Lumens, GU24 Base
Options: 27K, 30K, 40K, PE

OPTION LEGEND

27K	2700 Kelvin Warm White Light Temperature
30K	3000 Kelvin Warm White Light Temperature
40K	4000 Kelvin Medium White Light Temperature
ES	EnergyStar Rated
PE	Photocell

* May not be available in all wattages or combinations, please call factory.