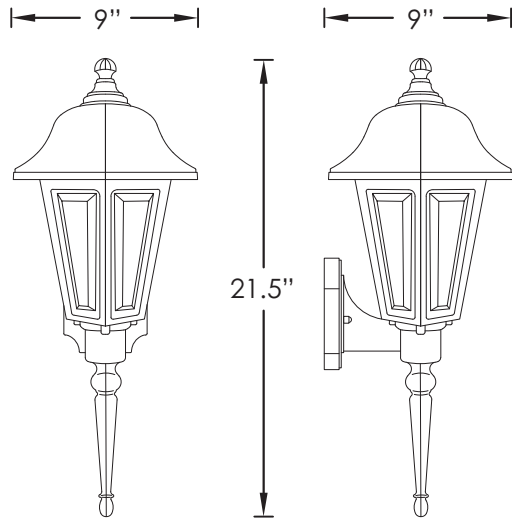




338 SERIES



LED



33891  
CLEAR | WHITE



33895  
CLEAR | BLACK

**STANDARD SPECIFICATIONS**

<b>Housing</b>	Impact Resistant Polycarbonate (Specify Finish)
<b>Lens</b>	UV Stabilized Acrylic (Specify Type)
<b>Certification</b>	Wet Location Listed
<b>Mounting</b>	Wall Mount Only
<b>Match</b>	Post Mount Lighting 850 Series

**REPLACEMENT PARTS**

**LENS-3389** | (6) UV Stabilized Clear Acrylic Panels

PRODUCT FAMILY	LENS TYPE	FINISH	MODEL	FEATURES & OPTIONS*
338				
	9 - Clear Textured	1 - White 5 - Black	<p><b>10LEDGU</b></p> <p><b>12LEDGU</b></p> <p><b>13LED-120</b></p> <p><b>17LEDGU</b></p>	<p>120V, 60Hz Electronic, Triac Dimmable to 10% 9 Watts, 800 Lumens, GU24 Base <b>Options: 27K, 30K, 40K, PE</b></p> <p>120V, 60Hz Electronic, Triac Dimmable to 10% 11 Watts, 1100 Lumens, GU24 Base <b>Options: 27K, 30K, 40K, PE</b></p> <p>120V, 50/60Hz Electronic, 120V Dimmable 13 Watts, 900 Lumens, &gt;80CRI, Energy Star Listed <b>Options: 30K, 40K, PE</b></p> <p>120V, 60Hz Electronic, Triac Dimmable to 10% 15 Watts, 1600 Lumens, GU24 Base <b>Options: 27K, 30K, 40K, PE</b></p>
<b>OPTION LEGEND</b>				
<b>27K</b>	2700 Kelvin Warm White Light Temperature			
<b>30K</b>	3000 Kelvin Medium White Light Temperature			
<b>40K</b>	4000 Kelvin Cool White Light Temperature			
<b>ALLK</b>	Wattage comes in all kelvin above, choose one.			
<b>PE</b>	Photocell (120 Volt Only)			

\* May not be available in all wattages or combinations, please call factory.