

# Durable Lighting Made for Industrial Safety



## Hazardous Location LED Luminaire G Series

Specsheet-2023-07 EN

**VENAS**  
Venas International Co., Ltd



Flat glass is standard.



Flat glass with flat wire guard is optional.



Spherical glass is optional. The wire guard is generally configured with a spherical glass. If wire guard is not needed, customer can make a note when placing an order.



## Product Description

The G Series LED luminaire is the ideal choice for marine and hazardous applications. They can be used in locations where moisture, dirt, dust, corrosion and vibration may be present, or areas where wind, water, snow or high ambient can be expected.

## Features

- 0-10V dimming
- Emergency function optional
- Compact and robust structure, excellent reliability
- Various installation ways for different applications
- Great impact resistance with IK08/IK10 certified
- Copper-free aluminum housing, great corrosion resistance and cooling performance

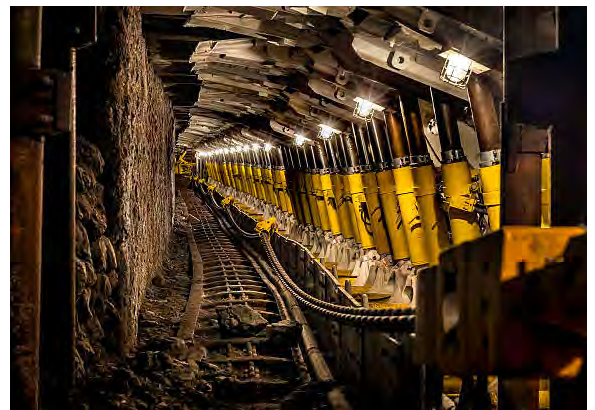
## Compliance

UL 844 Hazardous Locations  
Class I Division 1, Group C, D  
Class I Division 2, Group A, B, C, D  
Class II Division 1, Group E, F, G  
Class II Division 2, Group F, G  
Class III  
Class I, Zone 1, Group IIB  
Class II, Zone 21, Group IIIC  
UL 1598 Wet Locations  
CSA C22.2#137:2018 Ed.2  
CSA C22.2#250.0:2021 Ed.5  
ETL (ATM for Report 105342415DAL-001/003)  
ABS  
IP66  
IK10



## Application

- Power Plants
- Heavy Industrials Storage Facility
- Paper mills
- Wastewater Treatment Plants
- Loading Docks Platforms
- Offshore Environments
- Chemical Processing Facility
- Petrochemical Processing Facility
- Metallurgical Industry
- Coal Mine
- Food and Alcohol industry



## Warranty

5-Year Standard Warranty  
LED lumen Maintenance: L70> 150,000 Operation Hours@55°C

## Technical Parameter

### • Electrical

Specification	EX-10W GYZDA	EX-20W GYZDA	EX-30W GYZDA	EX-40W GYZDA	EX-50W GYZDA
Rated Power	10W	20W	30W	40W	50W
Input Voltage	100-277VAC				
Input Frequency	50/60Hz				
Power Factor	> 0.95				
Emergency Time*	3 hours				

\*Emergency function optional.

### • Optical

Specification	EX-10W GYZDA	EX-20W GYZDA	EX-30W GYZDA	EX-40W GYZDA	EX-50W GYZDA
Lumen Output	1140lm	2280lm	3300lm	4400lm	5450lm
Lumens Per Watt	114lm/W	114lm/W	110lm/W	110lm/W	109lm/W
CCT	2700K-7000K				
CRI	> 70				
Beam Angle	40°/60°/90°/120°				
Dimming	0-10V dimming				

### • Environmental

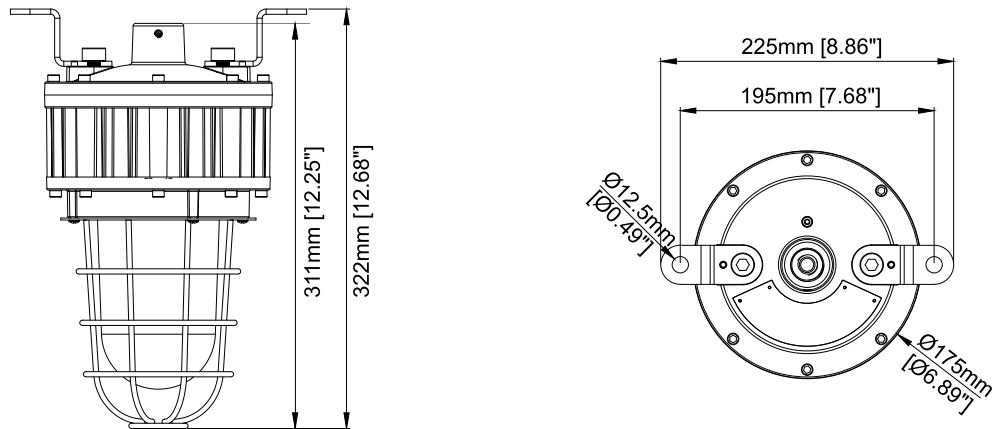
Specification	EX-10W GYZDA	EX-20W GYZDA	EX-30W GYZDA	EX-40W GYZDA	EX-50W GYZDA
Ambient Temperature	-40°C to 65°C (-40°F to 149°F), T4; -40°C to 40°C (-40°F to 104°F)				

### • Mechanical

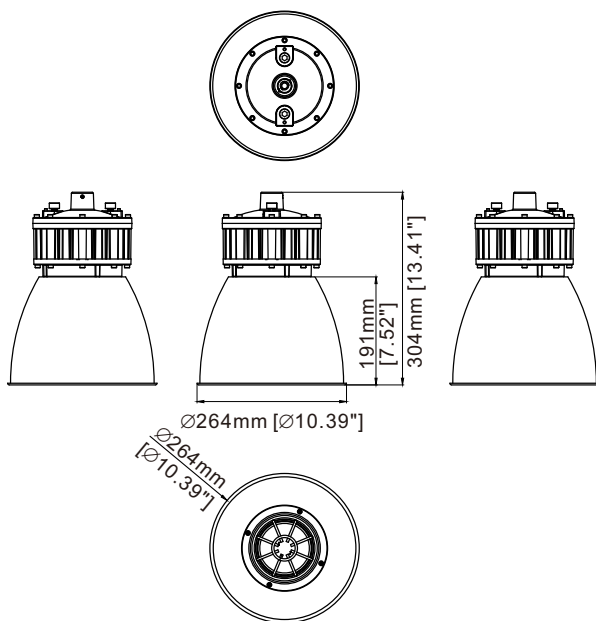
Specification	EX-10W GYZDA	EX-20W GYZDA	EX-30W GYZDA	EX-40W GYZDA	EX-50W GYZDA
Housing Material	Copper-free aluminum				
Diffuser	Tempered glass				
Hardware	Stainless steel				
Protection	IP66/IK10				
Mounting	Ceiling, Pole, Pendant, Wall				
Cable Entry	Top outlet: 3/4 NPT (standard), M25 (optional) <i>Notice: The standard product only has a top outlet. If customer needs to make a side outlet, it can also be done. The side outlet is 1/2 NPT or M25. For more information, please consult your sales representative.</i>				

## Product Dimensions

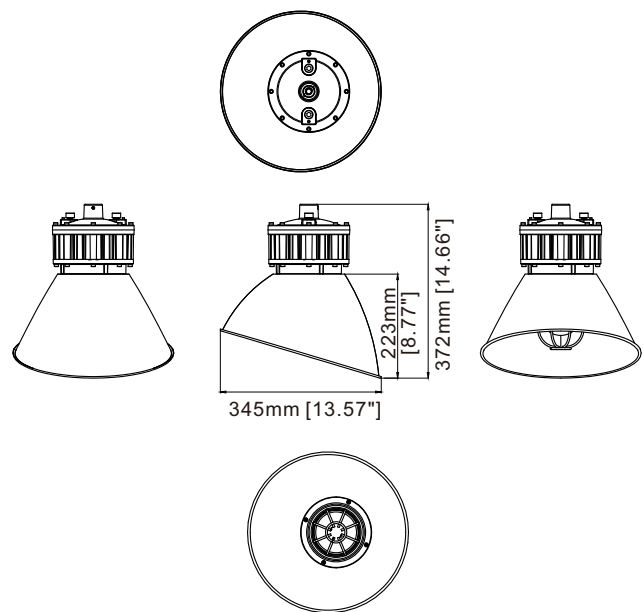
with spherical glass and wire guard



with lamp shade



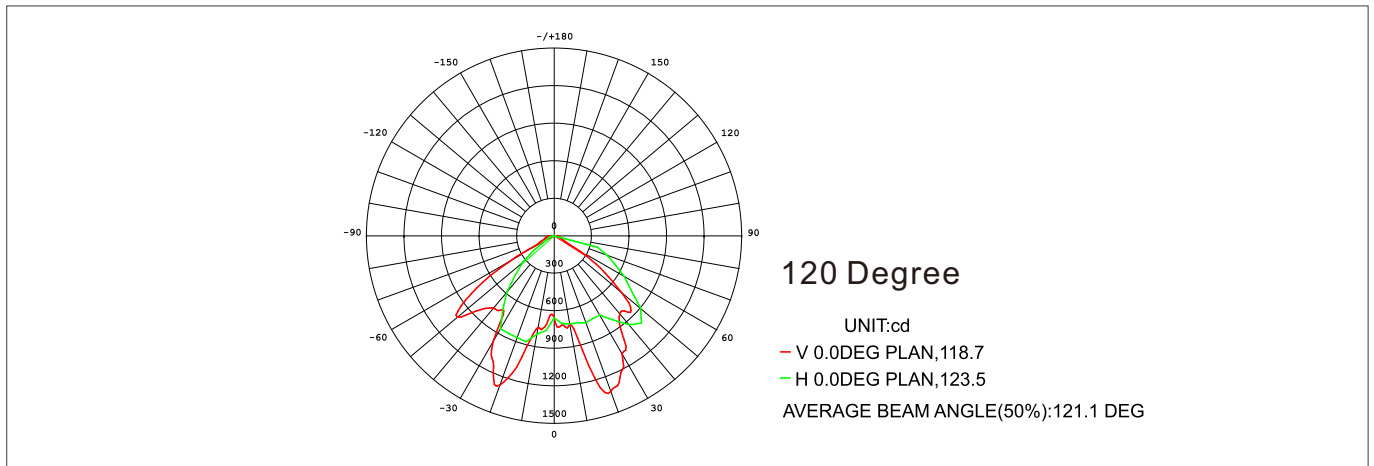
with cut-off lamp shade



## • Packing Information

Model	Net Weight	Gross Weight	Quantity/Carton	Package Dimensions (LxWxH)
G (with flat glass)	4.86 kg/10.71 lb	5.2kg/11.46 lb	1 pc	380x270x270mm/ 14.96x10.63x10.63inch
G (with spherical glass and wire guard)	5.36 kg/11.82 lb	6.3 kg/13.89 lb	1 pc	400x280x280mm/ 15.75x11.02x11.02inch
G (with 25° pole stanchion)	6.5 kg/ 14.33 lb	8 kg/ 17.64 lb	1 pc	510x560x260mm/ 20.08x22.05x10.24inch

## Photometric



## Ordering Guide

**EX - yyyW X Y Z D A - 1**

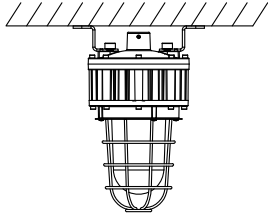
1                      2                      3    4    5    6    7    8

1. Product Categories	2. Wattage	3. Shell Shape Series	4. Dimming or Not
Explosion Proof Light	10/20/30/40/50W	“X” Can be G	“Y” Can be: D: Dimmable N: Non-dimmable

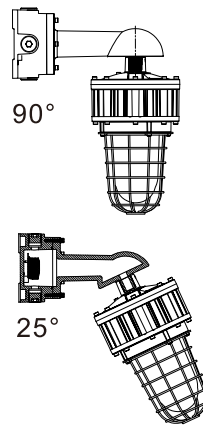
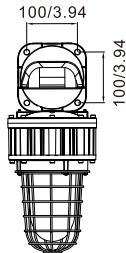
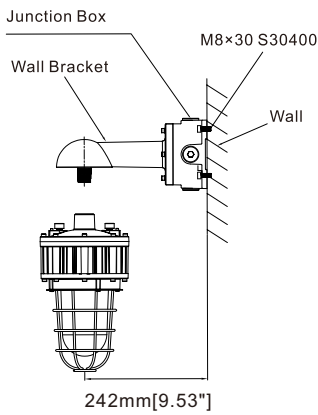
5. Color Temperature	6. Beam Angle	7. Spherical Glass Cover Optional	8. Optional
“Z” can be 27 to 70 denotes 2700K to 7000K, and each 100K gradually increase, max 7000K	D40=40° D60=60° D90=90° D120=120°	“A” = C: spherical glass	“-1” NA (optional)

# Mounting Methods and Accessories

• Option 1: Ceiling Mounting



• Option 2: Wall Mounting



• Accessories

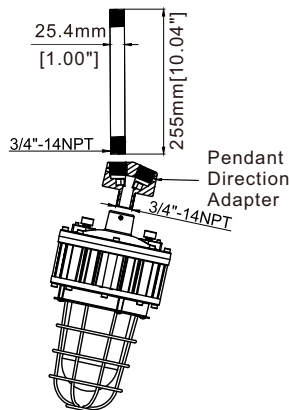
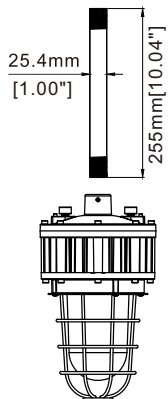


**Stanchion Arm**  
EX-HD51-KYD 90



**Stanchion Arm**  
EX-HD51-KYD 25

• Option 3: Pendant Mounting (Vertical)



• Accessories



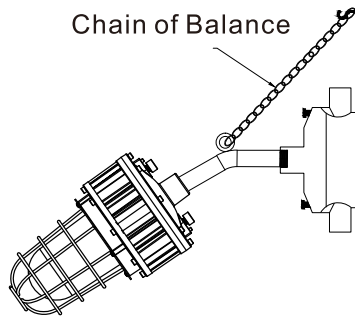
**Pole**  
Ex-Straight Pipe



**Pendant Direction Adapter**  
Ex-D01

## Mounting Methods and Accessories

- Option 4: Pendant Mounting (Non-vertical)



- Accessories



**Junction Box**  
EX-HD51-KB1



**Pole**  
Ex-Bended Pipe



**Pendant Chain**  
Ex-Straight Chain

- Other Optional Accessories



**Lamp Shade**



**Cut-off Lamp Shade**