

Haisen Stepdown Autotransformer



Model: 74120-ES-TB325-01

Halco SKU-74120



DESCRIPTION

325VA Transformer-A Type

INPUT VOLTAGE: 480Vac $\pm 10\%$ / 347Vac $\pm 10\%$ / 277Vac $\pm 10\%$

OUTPUT VOLTAGE: 208Vac @ 480Vac / 150Vac @ 347Vac / 120Vac @ 277Vac

Safety standard: UL 5085-3 listed, for field installation

Warranty: 5 years warranty

ELECTRICAL SPECIFICATIONS:

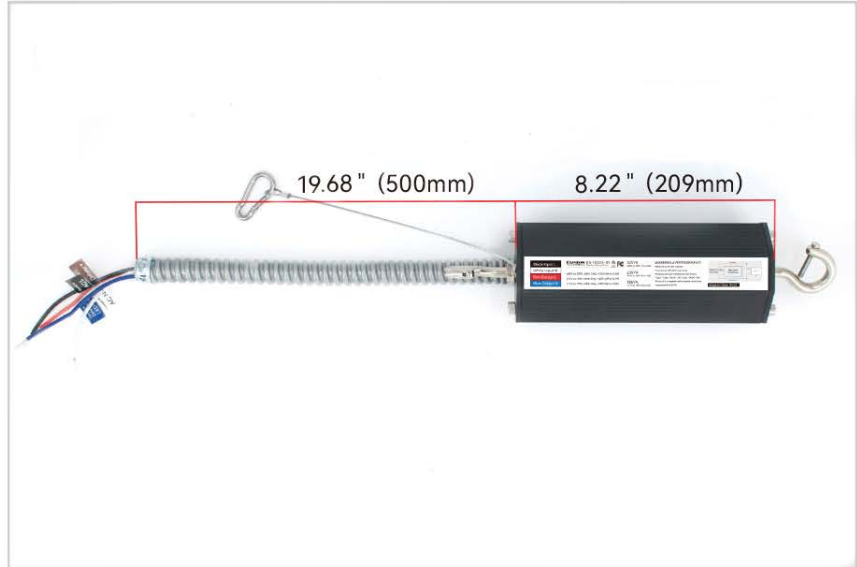
Parameter	Symbol	Conditions	USA	CA	USA	
Input Voltage	V Input		480	347	277	V
Output Voltage	V Output	Inflection Rated Voltage	208	150	120	V
Input Current	A Input	Inflection Rated Voltage	0.75			A
Output Current	A Output	Inflection Rated Voltage	1.56			A
Output Watts	VA Output	Inflection Rated Voltage	325	240	185	VA
Power Factor	PF	Nominal	0.96			
THD(Primary Lamp Type)		Inflection Rated Voltage			10	%
2nd Harmonic		Rated Voltage / Frequency			2	%
3rd Harmonic		Rated Voltage / Frequency			30	%
5nd Harmonic		Rated Voltage / Frequency			10	%
7nd Harmonic		Rated Voltage / Frequency			7	%
9nd Harmonic		Rated Voltage / Frequency			5	%
Temperature Rise Of Ballast Winding		Rated Voltage / Frequency			55	K
Max Casing Temperature		Faulty Status			105	C
14AWG Lead Lengths			200	210	220	MM

*EMI Shall Comply To GB17625-1-2003 ** Current power factory

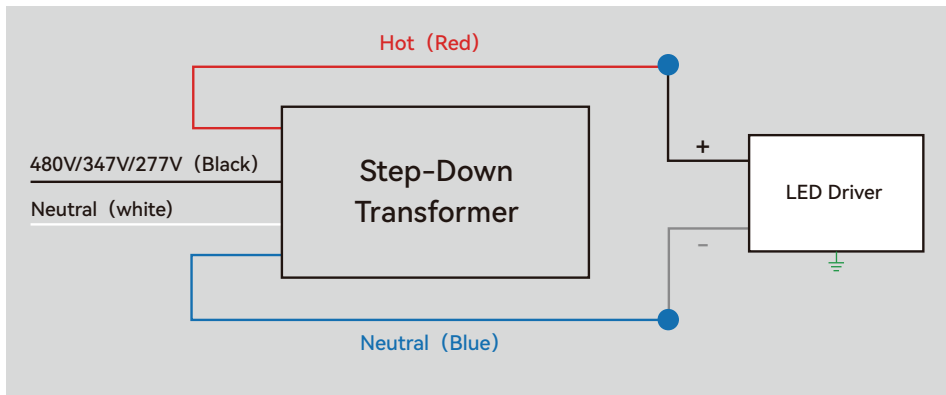
Haisen Stepdown Autotransformer



DIMENSION



WIRING DIAGRAM



INSTALLING & WIRING:

Turn off the AC power before installing.

Assembling the transformer with the Safety Rope with the chain link connector.

Select the appropriate wiring diagram to connect the transformer to the AC driver.

