

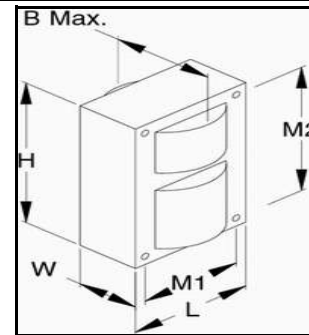
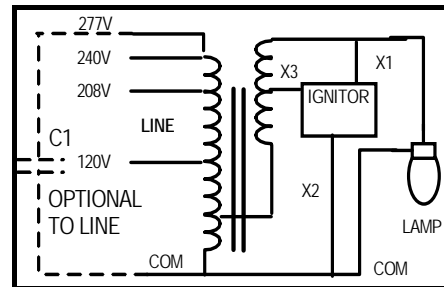


Catalog #	HPS-150X-Q
Type:	150W High Pressure Sodium
Voltage:	Quad (120/208/240/277)

General Information

Lamp Type	150W HPS
ANSI Designation	S55
Line Voltage (V)	120/208/240/277
Regulation	10%
Frequency (Hz)	60 Hz
Recommended Fuse (A)	10/5/5/5
Circuit Type	HX-HPF
Insulation Class	180°C
Capacitor Value	14 MF
Capacitor Voltage Rating	280 V
Cap. Temp. Rating	90°C
Winding Materials (Pri/Sec)	Cu/Cu
Lamp Starter	XG-01
Agency Certification	RU, cRU
Maximum Distance to Lamp	10 FT

Wiring Diagram



Electrical Characteristics

Line Volt (V)	Power Factor	Line Current (A)			Input Power (W)	Open Circuit Voltage (V)	Min Start Temp.	UL Temp. Code
		Operating	Open	Start				
120	High	1.74	2.83	2.15	199	123	-40°C	A
208	High	0.92	1.54	1.06	185	123	-40°C	A
240	High	0.88	1.41	1.08	203	123	-40°C	A
277	High	0.76	1.22	0.94	203	123	-40°C	A

Physical Characteristics

Overall Dimensions (Inches)				Mounting Holes (Inches)			Bracket Dimension (Inches)		Ballast Net Weight (KG)	Lead Length (Inches)
Length	Width	Height	B max.	Diameter	M1	M2	Length	Width		
2.80	2.58	3.94	3.86	0.25	2.44	3.50	5.5	1.25	3.40	12-14

KEYSTONE TECHNOLOGIES LLC.
P.O. Box 246, AMBLER, PENNSYLVANIA 19002
PHONE: 215-283-2600
FAX: 215-628-4412
INFO@KEYSTONEBALLAST.COM
WWW.KEYSTONEBALLAST.COM