



## Applications:

Facade, Wall Washing, Landscape lighting, Poster board lighting, Building lighting.

## Features

- Rugged aluminum housing with UV resistant powder coat finish offers outstanding corrosion protection.
- Lumen output 1500-5400lm with efficacy to 120lm/W
- Three installation for option: 1/2" knuckle mount or trunnion or wall mount
- Wide Flood beam spread 7H x 7V
- Long life LEDs lasting up to 50,000hours
- IP66 rated and suitable for use in ambients from -40°C to 45°C (-40°F ~ 113°F).
- UL wet location listed and DLC qualified

Size: 15W



Size: 30W



Size: 45W



## ELECTRICAL DATA

Number Of Drivers	Driver Current (mA)	Nominal Power (W)	INPUT VOLTAGE (V)	CURRENT (Amps)
1	250	15	120	0.13
		15	208	0.07
		15	240	0.06
		15	277	0.05
1	430	30	120	0.25
		30	208	0.14
		30	240	0.13
		30	277	0.11
1	1100	45	120	0.38
		45	208	0.22
		45	240	0.19
		45	277	0.16

## PERFORMANCE DATA

SYSTEM WATTS	VOLTAGE	DIST. TYPE	4000K(70CRI)		5000K(70CRI)	
			LUMENS	LPW	LUMENS	LPW
15W	120-277V	7Hx7V	1500lm	100 lm/W	1500lm	100 lm/W
30W	120-277V	7Hx7V	3000lm	100 lm/W	3000lm	100 lm/W
45W	120-277V	7Hx7V	5400lm	120 lm/W	5400lm	120 lm/W

# ORDERING GUIDE

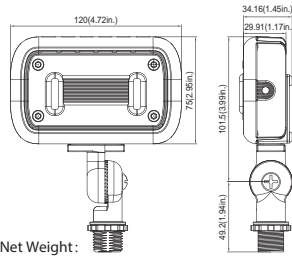
Example: FD15W27V50KBDB77

Fixture Type	Wattage	Voltage	CCT	CRI	Finish	Beam Angle
<b>FD</b> Flood Light	<b>15W</b> 15W <b>30W</b> 30W <b>45W</b> 45W	<b>27V</b> 120-277V	<b>30K</b> 3000K <b>35K</b> 3500K <b>40K</b> 4000K <b>50K</b> 5000K	<b>B</b> 70CRI	<b>D</b> Dark Bronze <b>B</b> Black <b>W</b> White	<b>B77</b> 7Hx7V

## DIMENSIONS

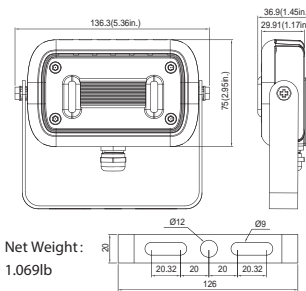
unit: mm/inch

### 15W( Knuckle Mount)



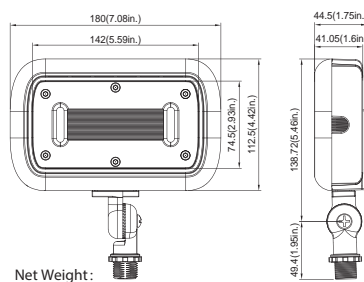
Net Weight:  
0.939lb

### 15W( Trunion Mount)



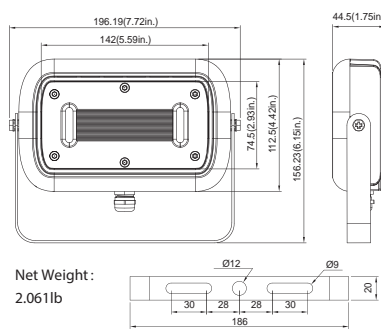
Net Weight:  
1.069lb

### 30W( Knuckle Mount)



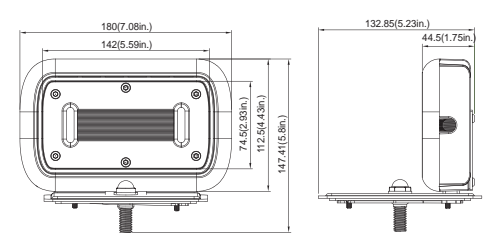
Net Weight:  
1.887lb

### 30W( Trunion Mount)



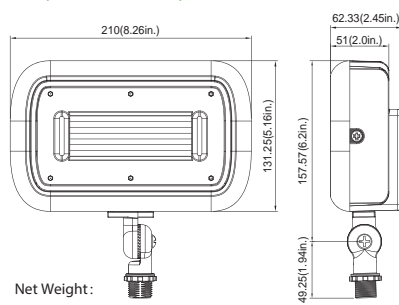
Net Weight:  
2.061lb

### 30W( Wall Mount)



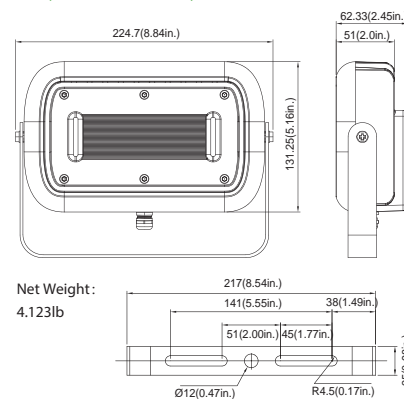
Net Weight:  
2.911lb

### 45W( Knuckle Mount)



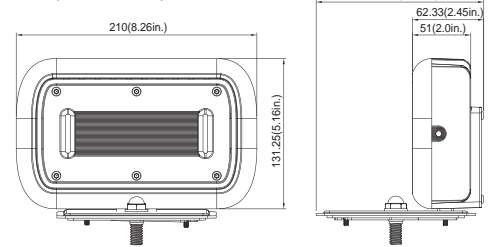
Net Weight:  
3.893lb

### 45W( Trunion Mount)



Net Weight:  
4.123lb

### 45W( Wall Mount)



Net Weight:  
4.519lb

## MOUNTING

### 1/2" Knuckle Mount

Die-cast aluminum knuckle provides flexibility in mounting from a variety of areas.



### Trunion Mount

Die-cast aluminum trunion is easily adapted to many surfaces and allows easy fixture aiming angles.



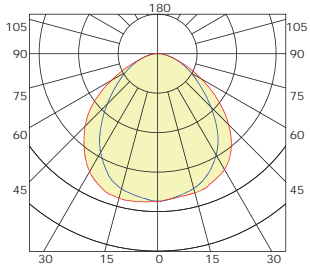
### Wall Mount (30W & 45W)

Wall Mount is easy to install for direct wall mounting with 1/2" conduit wiring or standard J-box mounting

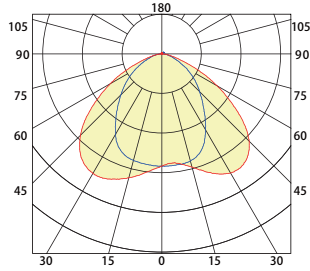


# PHOTOMETRICS

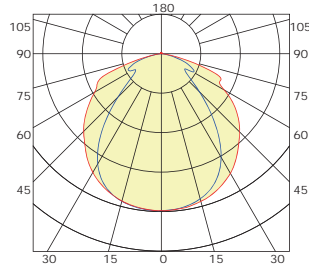
15W



30W



45W



## DLC Model NO.

SYSTEM WATTS	VOLTAGE	CCT	DLC NO.	DLC Classification
15W	120-277V	3000K	FD15W27V30KBYB77	Standard
		3500K	FD15W27V35KBYB77	Standard
		4000K	FD15W27V40KBYB77	Standard
		5000K	FD15W27V50KBYB77	Standard
30W	120-277V	3000K	FD30W27V30KBYB77	Standard
		3500K	FD30W27V35KBYB77	Standard
		4000K	FD30W27V40KBYB77	Standard
		5000K	FD30W27V50KBYB77	Standard
45W	120-277V	3000K	FD45W27V30KBYB77	Standard
		3500K	FD45W27V35KBYB77	Standard
		4000K	FD45W27V40KBYB77	Standard
		5000K	FD45W27V50KBYB77	Standard