

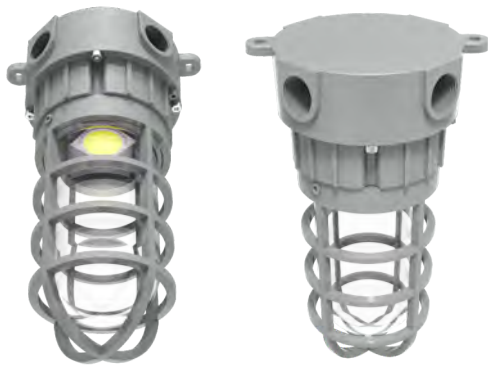
Durable Lighting Made for Industrial Safety



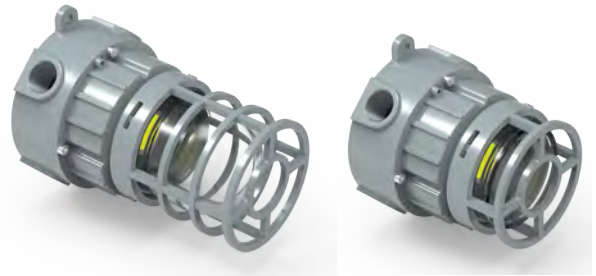
Hazardous Location LED Luminaire O Series (for North America)

Specsheet-2024-01 EN

VENAS
Venas International Co., Ltd



Globe guard



Flat guard



Product Description

The O Series LED luminaire is the ideal choice for marine and hazardous applications. They can be used in locations where moisture, dirt, dust, corrosion and vibration may be present, or areas where wind, water, snow or high ambient can be expected.

Compact structure and small size, ideal for use in various places where spot light is required, such as mine, brewery, aisle, etc.

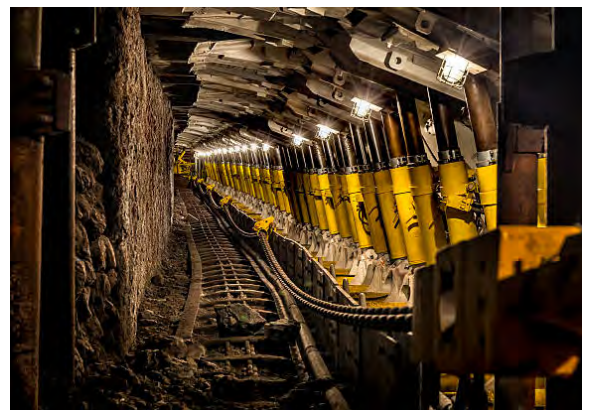
Features

- Compact structure, small size and light weight for easy installation
- Protective metal guard against potential damage
- Various installation ways for different applications
- Great impact resistance with IK08 certified
- Copper-free aluminum housing, great corrosion resistance and cooling performance
- Waterproof and dust-proof, no need for internal cleaning and maintenance
- Tempered glass for high heat resistance
- The maximum power is 30W

Compliance

UL 844 Hazardous Locations
Class I Division 2, Group A, B, C, D
Class II Division 1, Group E, F, G
Class II Division 2, Group F, G
Class III
UL 1598 Wet Locations
UL 1598A Marine Outside Type
UL 8750 LED Safety
UL 924 Emergency Lighting
ABS
CSA (Certificate: 80070037)
DLC*
IP66
IK08

* Not all product variations are DLC qualified.
The DLC qualified product model numbers are as below:
EX-20W ON50D120CM1
EX-30W ON50D120CM1
EX-40W ON50D120CM1



Application

- Power Plants
- Heavy Industrials Storage Facility
- Paper mills
- Wastewater Treatment Plants
- Loading Docks Platforms
- Offshore Environments
- Chemical Processing Facility
- Petrochemical Processing Facility
- Metallurgical Industry
- Coal Mine
- Food and Alcohol industry



Warranty

5-Year Standard Warranty
LED lumen Maintenance: L70> 150,000 Operation Hours@55°C

Technical Parameter

• Electrical

Specification	Ex-10W-OYZDAM	Ex-20W-OYZDAM	Ex-30W-OYZDAM
Rated Power	10W	20W	30W
Input Voltage	100-277VAC		
Input Frequency	50/60Hz		
Power Factor	> 0.95		

• Optical

Specification	Ex-10W-OYZDAM	Ex-20W-OYZDAM	Ex-30W-OYZDAM
Lumen Output	1000lm	2000lm	3000lm
Lumens Per Watt	100lm/W		
CCT	3000K-6500K		
CRI	> 70		
Dimming	0-10V dimming		

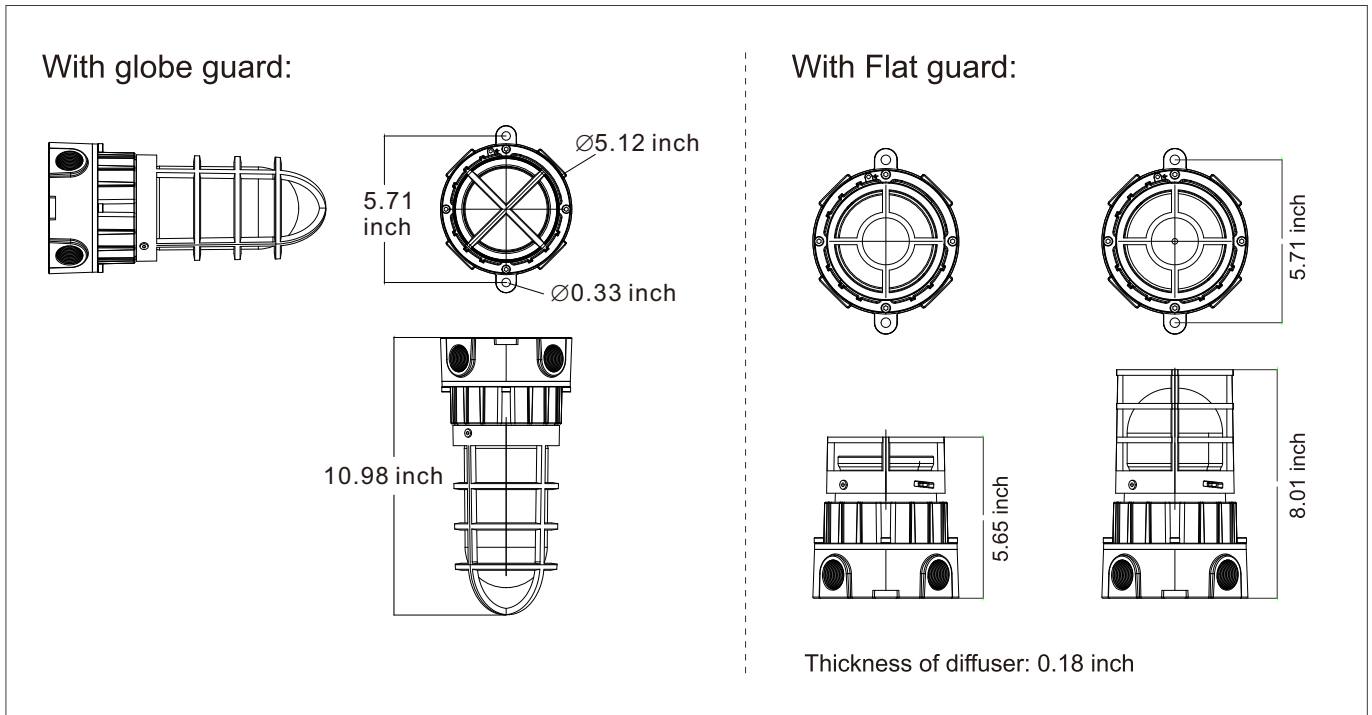
• Environmental

Specification	Ex-10W-OYZDAM	Ex-20W-OYZDAM	Ex-30W-OYZDAM
Ambient Temperature - Normal	T6/T80°C: -40°C to +25°C (-40°F to +77°F) T5/T95°C: -40°C to +40°C (-40°F to +104°F) T4/T130°C: -40°C to +60°C (-40°F to +140°F)		
Ambient Temperature - Emergency	T4/T130°C: -10°C to +40°C (14°F to +104°F)		

• Mechanical

Specification	Ex-10W-OYZDAM	Ex-20W-OYZDAM	Ex-30W-OYZDAM
Housing Material	Copper-free aluminum		
Diffuser	Tempered glass (both frosted and clear are available)		
Protection	IP66/IK08		
Mounting	Ceiling, Pole, Wall		
Outlet	Regular 1 meter		
Cable Entries	There are four cable entries are at side wall of luminaire housing which are used to install M25, M20, NPT 1/2" or NPT 3/4" certified cable glands or stopping plugs with suitable IP code.		

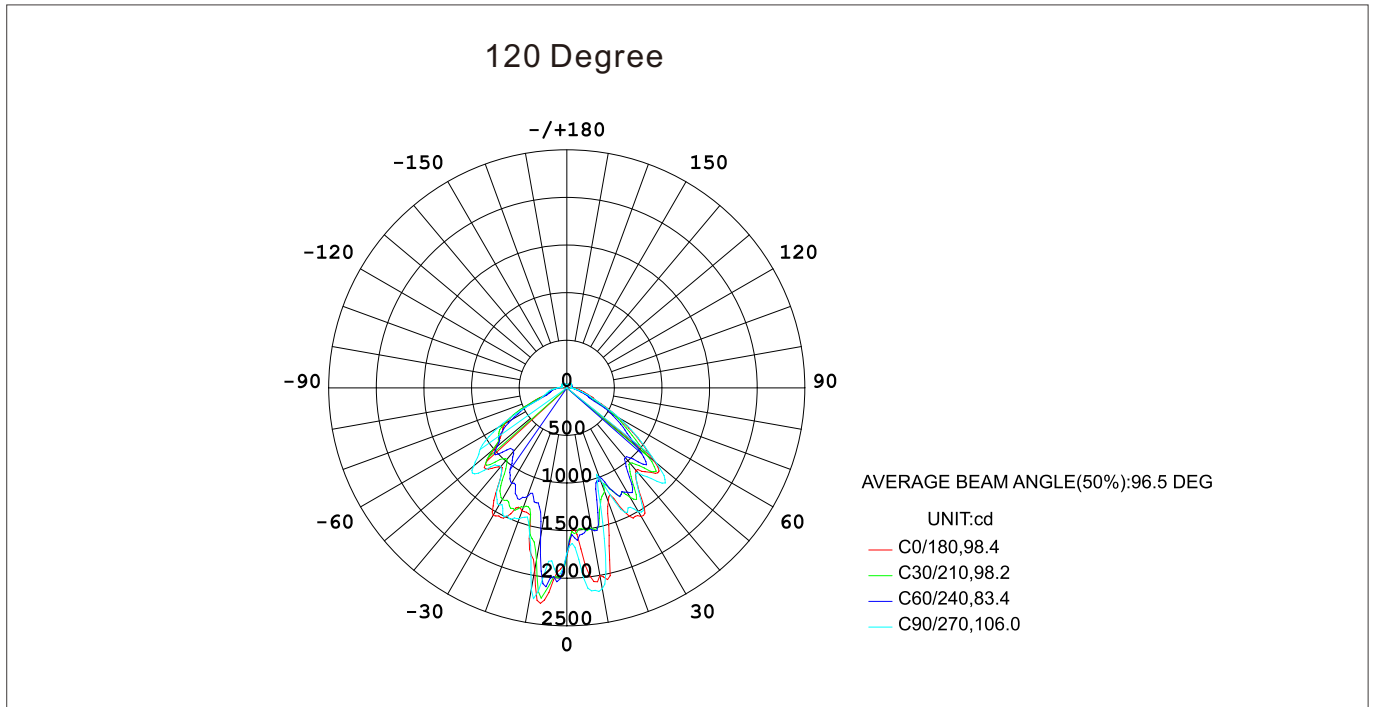
Product Dimensions



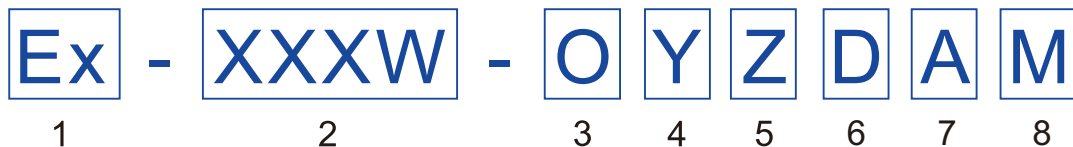
- Packing Information

Model	Image	Net Weight	Gross Weight	Quantity/Carton	Package Dimensions (LxWxH)
O (with Globe Guard; Top Suction Installation)		5.95 lb	7.06 lb	1 pc	14.56x10.63x9.45inch
O (with Globe Guard; 90 Degree Wall Mounting)		8.16 lb	9.26 lb	1 pc	16.54x13.39x9.45inch
O (with flat guard)	/	4.41 lb	5.51lb	1 pc	10.43x14.96x10.04 inch

Photometric



Ordering Guide

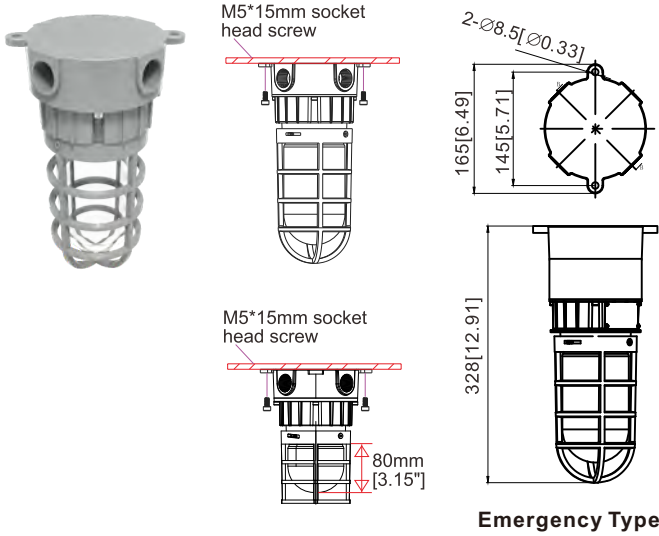


1. Product Category	2. Wattage	3. Product Series	4. Dimmable Option
Ex: Explosion Proof Product	Can be: 10W/20W/30W/40W	O: O series	Can be: Y: dimmable N: non-dimmable

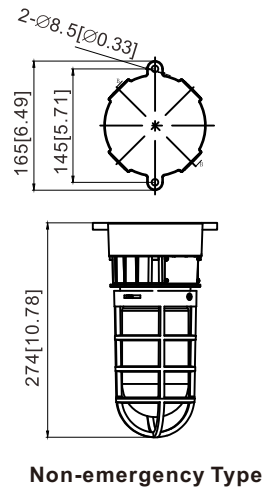
5. Color Temperature	6. Beam Angle	7. Glass Type	8. Mounting Type
Can be 30, 40,..., 65 denotes 3000K, 4000K, ..., 6500K	D	Can be: C: Globe glass P: Plate short glass B: Middle long globe glass	Can be: M1: Ceiling mounting M2: Pole mounting M3: 90 degree wall mounting

Mounting Methods and Accessories Unit: mm [inch]

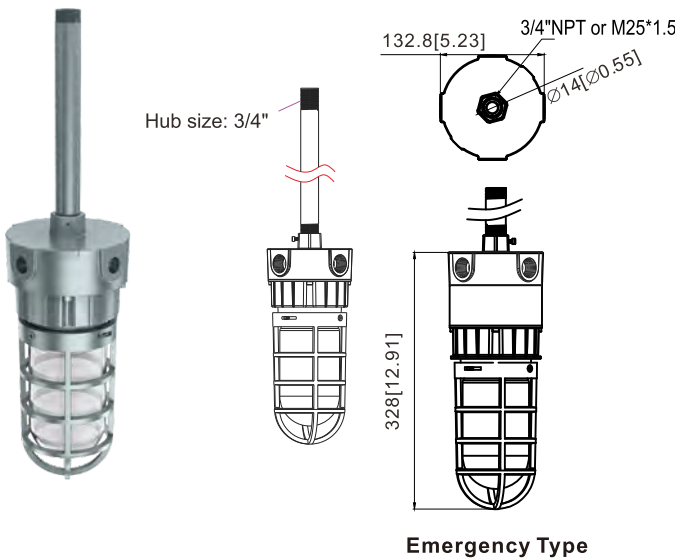
• Option 1: Ceiling Mounting



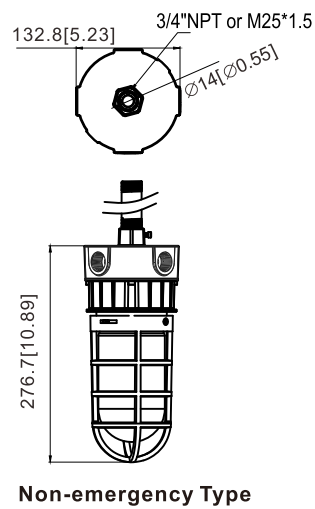
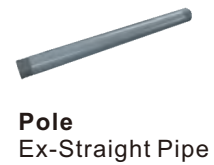
• Accessories



• Option 2: Pole Mounting

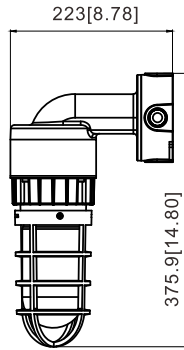
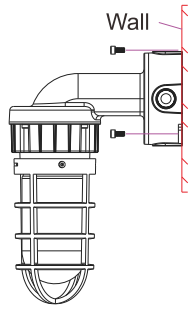


• Accessories

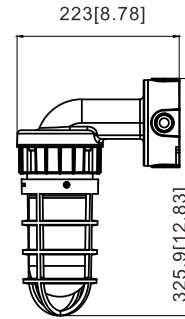
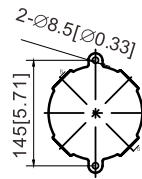


Mounting Methods and Accessories Unit: mm [inch]

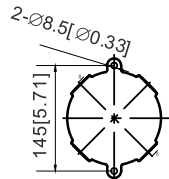
• Option 3: 90 Degree Wall Mounting



Emergency Type



Non-emergency Type

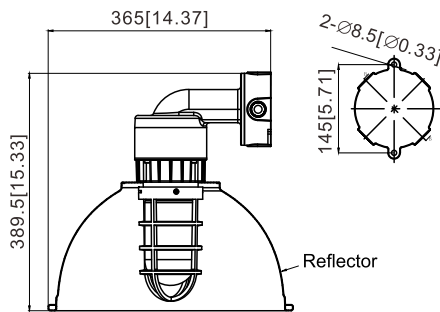


• Accessory

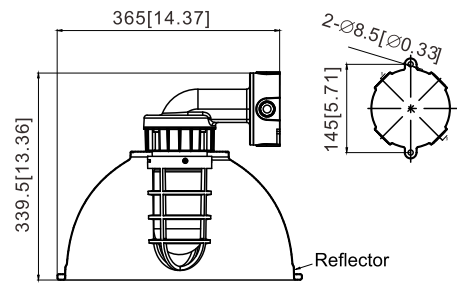
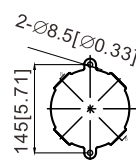


Wall Elbow

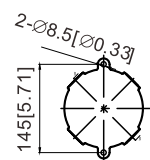
• Option 4: 90 Degree Wall Mounting with Reflector



Emergency Type



Non-emergency Type



• Accessories



Wall Elbow



Reflector

Spare Parts



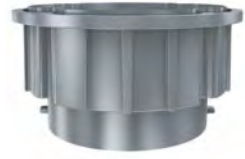
Ceiling/Wall



Ceiling/Wall (Interior Detail)



Reflector



Heat Sink



Globe Glass



Globe Guard



Extension



Main Part



Flat Glass



Flat Guard



Clear