



DUSK TO DAWN SWITCH

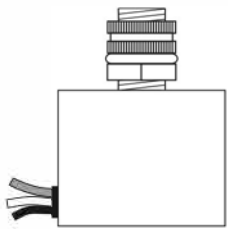
- Switches Light On At Night, Off During Day
- Constructed of Durable Plastic
- Nuts & O-Ring Included
- Standard Pack Qty: 250



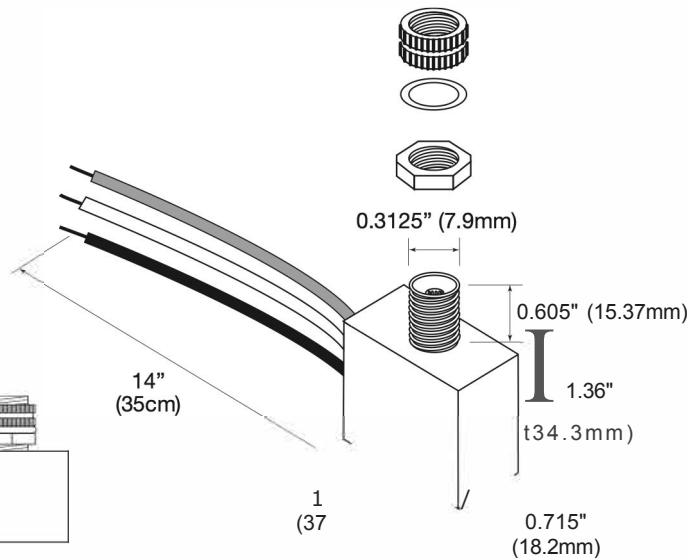
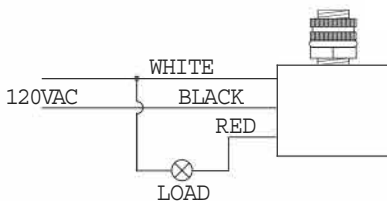
SPECIFICATIONS

- Input Voltage: 120VAC; 60Hz
- Maximum Output: 300W Incandescent, 39W LED & Fluorescent*
- Optional Swivel Hood Eliminates Strobming (03-003 sold seperately)
- Electronic Circuit with Mechanical Switching Relay
- 14" Lead Length
- UR CUR Recognized

* See lamp specifications for photocell compatability

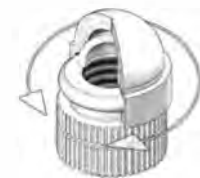


WIRING DIAGRAM



OPTIONAL SWIVEL HOOD

- Fully adjustable 2 piece cover helps to eliminate strobing caused by reflected light
- Fits PC-08 dusk to dawn switch
- Available in Black (03-003) or White (03-003WHT)



Rotates 360°

0.5625" (14mm)

0.750" (18.8mm)